

## PRIME PANEL PICO INSTALLATION 15.6" MULTITOUCH-PANEL PC FOR DEMANDING TASKS

FACT SHEET

- IPC easily configurable in hardware and software
- Flexible and extensive connectivity
- High operating safety due to robust system design and IP65

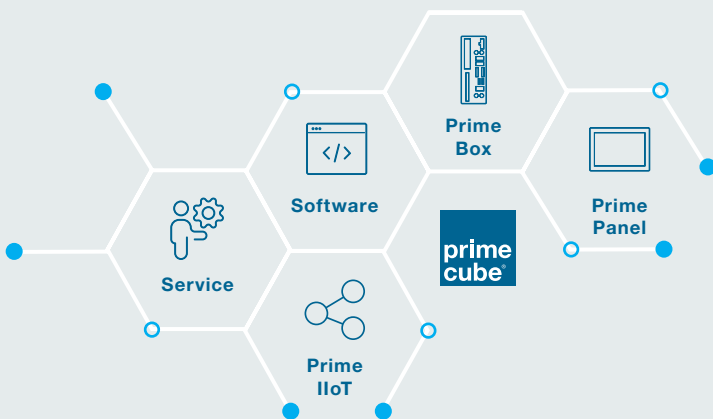


**Housing**  
Passive, fanless cooling.  
Modern design, "form follows function".  
Optionally supplied with logo and color ident.

**Glass front**  
Optimal readability, low reflection.  
Scratch-resistant.  
Easy to clean.

**Touch**  
High operating reliability – even under the influence of disturbances.  
EMC-stable 4-finger operation, glove operation, Palm Suppression.  
Optional parameterization for individual requirements.

### THE MODULAR SYSTEM OF PRIME CUBE®



**Modular**  
Customised modular solutions of industrial computer technology with all advantages of standard products: validated platforms, short development process, optimum price performance.

**High quality**  
For 24/7 operation in an industrial environment.  
Reliable and robust.  
Long-term available (10 years), with a warranty of 36 months.

**Application-oriented & customisable**  
BASE / STYLE / CUSTOM

**We are your partner in the complete solution process of industrial computer technology.**

From sensor application to tool monitoring in the machine and from embedded computing systems to a future-oriented IoT gateway concept we represent all product steps with our product brands Prime Cube® and BK Mikro®. At our headquarters in Neuhausen ob Eck (Baden-Württemberg) we develop and manufacture with appr. 170 employees customised computer systems: From hardware and software to assemblies and complete systems - innovative force "Made in Germany".



# PRIME PANEL PICO INSTALLATION 15.6"

## TECHNICAL DATA

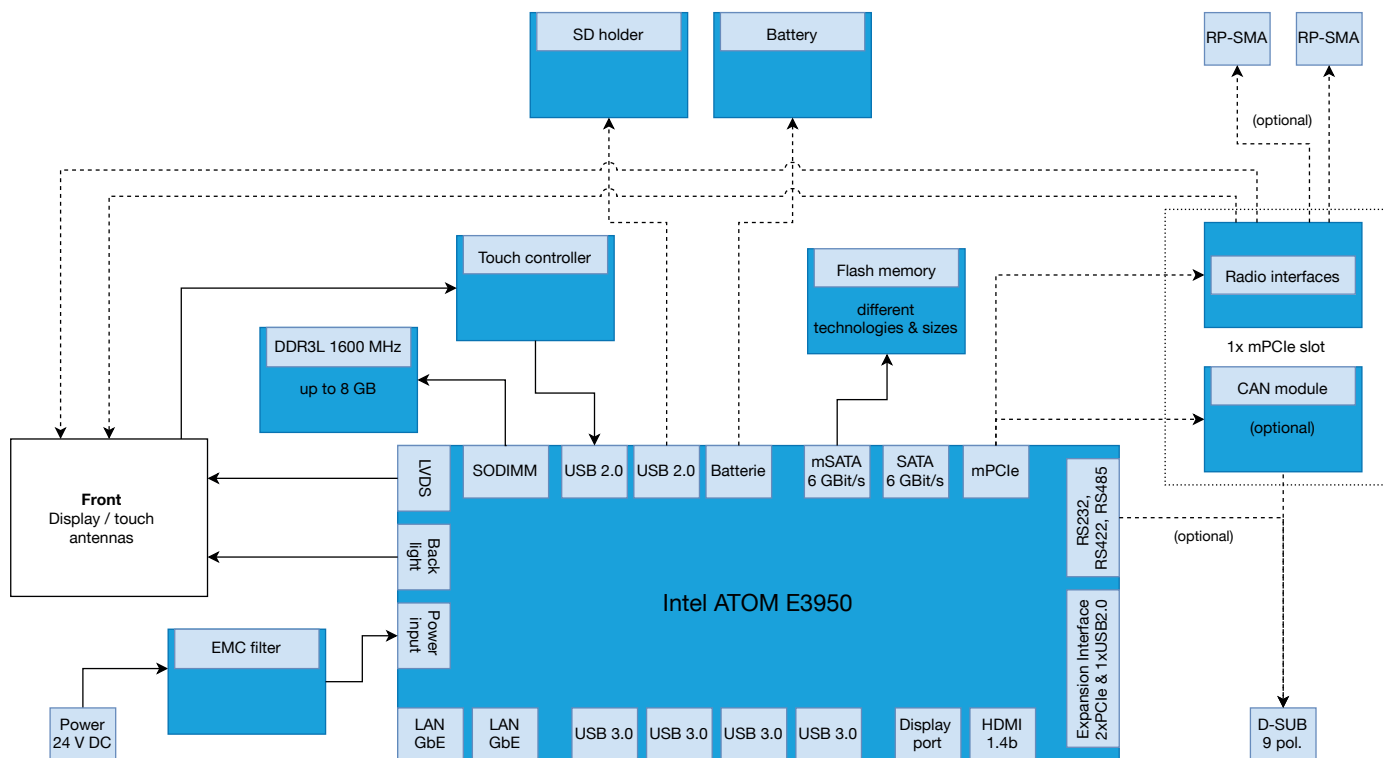
VERSION		PRIME PANEL PICO INSTALLATION
		<b>15.6"</b>
Type code		PPI1100ED_156
Dimensions (WxHxD)		406.9 x 256 x 79 mm
Weight		4.05 kg
Housing		Aluminum front frame, powder-coated. Sheet steel rear wall, galvanized. Aluminum computer core with heat sink, anodized. Hardened, non-reflecting front glass. Designed for front installation by means of mounting clips.
Mounting clips		10 pc.
Protection class		IP65 acc. DIN EN 60529, front side. IP20 acc. DIN EN 60529, back side.
Display	Size	Full HD display, 1920 x 1080 px, 16:9. HD resolution optionally available.
	Brightness (typic.)	450 cd/m <sup>2</sup>
	Contrast Ratio (typic.)	800
	Viewing angle (typic.)	89/89/89/89°
	Lifetime lighting (min.)	50.000 h
Touch		Projected Capacitive Touch (PCT), up to 10-finger operation.
Computer		Processor Intel® Atom x7-E3950, Quad Core, 1.6 GHz.
Memory		Up to 8 GB DDR3L, 1600 MHz. 1x SODIMM.
Mass storage (other memory sizes and different flash technologies available)		1x mSATA 64 GB - 512 GB, flash memory
Extension		1x mPCIe full size
		1x DSUB 9 pole
Removable storage (optional)		1x SD card holder. SD card optionally available.
Interfaces (standard)		2x GbE LAN, separate controllers, Intel® I211-AT
		4x USB 3.0
		1x DP
		1x HDMI
Interfaces (optional – other options available)	DSUB 9 pole	1x RS232/422/485
	mPCIe	1x CAN, single DSUB 9 pole (Profibus, Profinet and other fieldbusses optionally available) 1x WLAN and BLUETOOTH (front-integrated or external antenna) 1x mobile communication
Battery		Buffer battery, ended
Supply voltage		24 V DC (20.4 ... 28.8 V)
Operating system		Windows 10 IoT Enterprise 2019 LTSC LINUX 64bit: Debian 10 Distribution
Ambient temperature*		-10 °C ... +45 °C with natural convection
		-10 °C ... +50 °C from 0.4 m/s air flow
Storage temperature		-20 °C ... +60 °C
Humidity		10% ... 90%, non-condensing
EMC resistance		Industrial area acc. DIN EN 55024 & EN 61000-6-2
EMC emitted interference		Industrial area acc. DIN EN 55032 class A
Shock		15 g: 11 ms and 25 g: 6 ms acc. DIN EN 60068-2-27
Vibration		2 ... 9 Hz: 3.5 mm amplitude, 9 ... 200 Hz: 1 g acc. DIN EN 60068-2-6
Warranty		36 months
Approvals		CE; UL in preparation; acc. UL 61010-2-201 & CSA C22.2 no. 61010-2-201

\* Test conditions: 14 W USB load, 100% CPU load, 100% RAM load, 100% SSD load

Dimension drawings can be downloaded from our [website](#). 3D models are provided on request by e-mail to [vertrieb@schubert-system-elektronik.de](mailto:vertrieb@schubert-system-elektronik.de).

Version 1.04 / 2021 © Schubert System Elektronik GmbH. All rights and modifications reserved. All data are non-binding and do not ensure any properties. The illustrations can also contain special fittings and accessories. We assume no liability for printing errors. The company names, names and logos used are largely protected by copyright and/or trademarks, even if not explicitly marked as such. All product names used are brand names and/or trademarks of the respective manufacturers.

# PRIME PANEL PICO INSTALLATION 15.6" CIRCUIT DIAGRAM



Dimension drawings can be downloaded from our [website](#). 3D models are provided on request by e-mail to [vertrieb@schubert-system-elektronik.de](mailto:vertrieb@schubert-system-elektronik.de).

Version 1.04 / 2021 © Schubert System Elektronik GmbH. All rights and modifications reserved. All data are non-binding and do not ensure any properties. The illustrations can also contain special fittings and accessories. We assume no liability for printing errors. The company names, names and logos used are largely protected by copyright and/or trademarks, even if not explicitly marked as such. All product names used are brand names and/or trademarks of the respective manufacturers.